

2020  
CATALOGUE

**ONTARIO HOSE**  
*SPECIALTIES LIMITED*



**Spécialité Boyaux Québec**  
**Quebec Hose Specialties**



**Maritime Hose**  
Specialties

VACUUM TRUCK  
**HOSE**  
**PARTS**  
ACCESSORIES

SEWER  
FLUSHING

HYDRO  
EXCAVATION

INDUSTRIAL  
VACUUM

[WWW.ONTARIOHOSE.COM](http://WWW.ONTARIOHOSE.COM)

1-877-668-4673



MISSISSAUGA | STONEY CREEK | CORUNNA | KINGSTON | QUEBEC | NOVA SCOTIA

# Contents

|                                       | Page  |
|---------------------------------------|-------|
| Boom Hose .....                       | 1     |
| Material Handling Hose .....          | 2-3   |
| Petroleum & Chemical Hose .....       | 4     |
| Water Suction & Discharge Hose .....  | 5     |
| Layflat Water Hose .....              | 6     |
| High Pressure Jetting Hose .....      | 7     |
| Ripsaw Nozzles .....                  | 8     |
| Suttner Turbo Nozzles .....           | 9     |
| Spray Guns & Lances .....             | 10    |
| Quick Disconnects .....               | 11    |
| Camlock Fittings .....                | 12    |
| Bauer Fittings .....                  | 13    |
| Bush Hog Fittings .....               | 14    |
| Dig Tube Components .....             | 15    |
| Aluminum Dig Tubes .....              | 16    |
| Hydrotec HDPE Tubes and Nozzles ..... | 17    |
| Gauges .....                          | 18    |
| Valves .....                          | 19-21 |
| Safety .....                          | 22    |
| Accessories .....                     | 23    |
| Terms & Conditions .....              | 24    |



We supply a wide range of hose, parts and accessories for DOT vacuum trucks!

# ONTARIO HOSE

Specialties Limited



**Spécialité Boyaux Québec**  
**Quebec Hose Specialties**

We are a leading supplier and distributor of top quality hoses, fittings and accessories to the tank truck, vacuum, petroleum, chemical, food, environmental and industrial markets.

Industrial hose is one of the most overlooked necessities of the modern economy. Virtually every industry uses some type of hose. Tanker trucks, breweries and cement plants, for example, all require hose assemblies made to tight specifications and exacting, rigorous standards. Our company has filled this market niche for many years, accumulating loyal clients. We also offer complete hose testing and repair services.

Founded in 1973, Ontario Hose Specialties Limited has grown from a one man operation to a well-established six-branch supplier of industrial hose and hose products, primarily in Ontario, Quebec and Eastern Canada.

Our goals are to help you achieve:

- **No Spills**
- **No Personal Injury**
- **No Product Contamination**

Some of the most common problems in the hose industry result from improper hose and coupling selection, failure to correctly inspect and test hose assemblies, improper cleaning practices and hose assembly storage techniques.

In turn, these situations can lead to material leakage, spraying, spattering, end blow-offs, explosions and other situations that can result in serious personal injury and property damage. With proper training these situations can be avoided.

For over 40 years Ontario Hose has been fulfilling customers' needs for hose, fittings and accessories by offering solutions to achieve their goals through:

- Our highly trained staff
- Strict adherence to quality programs ISO, CRN, B620, CSA, NAHAD
- Innovative hose tracking, training and certification solutions

We look forward to serving all your requirements and achieving your business objectives.

# Boom Hose

## Boom Hose - Hardwall

**Applications:**

- Designed for wet or dry abrasive product transfer service

**Tube:**

- 1/4" Thick Tan or Red natural gum rubber (other thicknesses available)

**Reinforcement:**

- Spiral-plied synthetic fabric with helix wire

**Cover:**

- Black abrasion, weather & ozone resistant NR/SBR synthetic rubber

**Temp Range:**

- -20°F to +180°F



**TAN TUBE**

| Part #       | I.D. (in.) | O.D. (in.) | Working PSI | Bend Radius (in.) | Weight (lbs/ft) | Standard Length |
|--------------|------------|------------|-------------|-------------------|-----------------|-----------------|
| IVH600PG025  | 6          | 7.23       | 150         | 36                | 6.71            | As Required     |
| IVH800PG025  | 8          | 9.36       | 150         | 56                | 9.97            | As Required     |
| IVH1000PG025 | 10         | 11.72      | 150         | 70                | 15.70           | As Required     |

**RED TUBE**

| Part #        | I.D. (in.) | O.D. (in.) | Working PSI | Bend Radius (in.) | Weight (lbs/ft) | Standard Length |
|---------------|------------|------------|-------------|-------------------|-----------------|-----------------|
| IVH600PG025R  | 6          | 7.23       | 150         | 36                | 6.71            | As Required     |
| IVH800PG025R  | 8          | 9.36       | 150         | 56                | 9.97            | As Required     |
| IVH1000PG025R | 10         | 11.72      | 150         | 70                | 15.70           | As Required     |

## KanaFlex KanaBoom

**Applications:**

- Hydro-vac trucks, vacuum trucks, general construction use, wet and dry full vacuum rated

**Construction:**

- Flexible PVC Liner, rigid PVC Helix, synthetic braiding, smooth bore, static dissipating materials and grounding wire

**Features:**

- Lightweight and flexible in sub-zero temperatures, abrasive resistant polyurethane tube, external helix provides for easy drag

**Temp Range:**

- -33°F to 140°F



| Part #   | I.D. (in.) | O.D. (in.) | Working PSI | Bend Radius (in.) | Weight (lbs/ft) | Standard Length |
|----------|------------|------------|-------------|-------------------|-----------------|-----------------|
| STK400-S | 4          | 4.86       | 75          | 9.0               | 2.1             | As Required     |
| STK600-S | 6          | 7.37       | 70          | 22.0              | 4.7             | As Required     |
| STK800-S | 8          | 9.54       | 60          | 34.0              | 6.5             | As Required     |

## ContiTech Boom Hose

**Applications:**

- Vacuum hose for handling abrasive material like dust, rock granular material and wood fibers

**Tube:**

- Black Chemituf 3/16" tube with static dissipation properties

**Reinforcement:**

- Spiral plies synthetic fabric with twin helix wires

**Cover:**

- Black SBR

**Temp Range:**

- -25°F to 180°F



| Part #              | I.D. (in.) | O.D. (in.) | Working PSI | Bend Radius (in.) | Weight (lbs/ft) | Standard Length |
|---------------------|------------|------------|-------------|-------------------|-----------------|-----------------|
| G DYROHSIVH600PG025 | 6          | 6.85       | 150         | 24.0              | 5.68            | As Required     |
| G DYROHSIVH800PG025 | 8          | 8.88       | 150         | 30.0              | 8.13            | As Required     |

# Material Handling Hose

## KanaFlex 180HR Material Hose

**Applications:**

- Heavy duty suction applications where higher temperature and abrasion are factors such as vacuum trucks, fly ash, crushed rock, sand, pea gravel, cement powder
- Lightweight, flexible, extreme resistance to abrasion and weather

**Tube:**

- Smooth bore EPDM rubber blended with static carbon

**Reinforcement:**

- Polyethylene helix embedded with groundable metal helical wire

**Cover:**

- Corrugated EPDM rubber

**Temp Range:**

- -40°F to +220°F



| Part #   | I.D. (in.) | O.D. (in.) | Working PSI | Bend Radius (in.) | Weight (lbs/ft) | Standard Length |
|----------|------------|------------|-------------|-------------------|-----------------|-----------------|
| 180HR400 | 4          | 4.69       | 30          | 5.5               | 1.75            | 100             |
| 180HR600 | 6          | 6.83       | 30          | 9.8               | 3.46            | 100             |
| 180HR800 | 8          | 9.13       | 30          | 15.0              | 6.00            | 50              |

## KanaFlex 180AR Material Hose

**Applications:**

- Heavy duty abrasion resistant suction hose for vacuum trucks
- Transfer of abrasives such as crushed rock, sand, pea gravel, cement powder, dry fertilizer, and grains
- Lightweight, flexible, extreme resistance to abrasion and weather

**Tube:**

- Smooth bore SBR rubber blended with static carbon

**Reinforcement:**

- Rigid PVC helix

**Cover:**

- Corrugated SBR rubber

**Temp Range:**

- -40°F to +140°F



| Part #    | I.D. (in.) | O.D. (in.) | Working PSI | Bend Radius (in.) | Weight (lbs/ft) | Standard Length |
|-----------|------------|------------|-------------|-------------------|-----------------|-----------------|
| 180AR125  | 1 1/4      | 1.57       | 45          | 2.0               | .31             | 100             |
| 180AR150  | 1 1/2      | 1.82       | 45          | 2.0               | .37             | 100             |
| 180AR200  | 2          | 2.35       | 40          | 2.5               | .50             | 100             |
| 180AR250  | 2 1/2      | 2.95       | 35          | 2.5               | .88             | 100             |
| 180AR300  | 3          | 3.5        | 35          | 3.0               | 1.10            | 100             |
| 180AR350  | 3 1/2      | 4.11       | 30          | 4.0               | 1.35            | 100             |
| 180AR400  | 4          | 4.63       | 30          | 4.5               | 1.77            | 100             |
| 180AR500  | 5          | 5.76       | 30          | 5.0               | 2.47            | 100             |
| 180AR600  | 6          | 6.73       | 30          | 9.2               | 3.08            | 100             |
| 180AR700  | 7          | 7.83       | 30          | 14.0              | 4.10            | 50              |
| 180AR800  | 8          | 9.04       | 30          | 15.0              | 5.65            | 50              |
| 180AR1000 | 10         | 11.18      | 28          | 30.0              | 8.88            | 20              |
| 180AR1200 | 12         | 13.31      | 25          | 40.0              | 10.43           | 20              |

# Material Handling Hose

## KanaFlex 180STAR Material Hose

**Applications:**

- Heavy duty abrasion resistant suction hose for vacuum trucks
- Transfer of abrasives such as crushed rock, sand, pea gravel, cement powder, dry fertilizer, and grains
- Lightweight, flexible, extreme resistance to abrasion and weather

**Tube:**

- Smooth bore SBR rubber blended with static carbon

**Reinforcement:**

- Rigid PVC helix, Embedded with copper grounding wire

**Cover:**

- Corrugated SBR rubber

**Temp Range:**

- -40°F to +140°F



| Part #     | I.D. (in.) | O.D. (in.) | Working PSI | Bend Radius (in.) | Weight (lbs/ft) | Standard Length |
|------------|------------|------------|-------------|-------------------|-----------------|-----------------|
| 180STAR150 | 1 1/2      | 1.90       | 45          | 2.5               | .50             | 100             |
| 180STAR200 | 2          | 2.44       | 40          | 2.5               | .60             | 100             |
| 180STAR300 | 3          | 3.50       | 35          | 3.0               | 1.19            | 100             |
| 180STAR400 | 4          | 4.63       | 30          | 4.5               | 1.84            | 50,100          |
| 180STAR600 | 6          | 6.80       | 30          | 9.2               | 3.26            | 50,100          |

## OHS VAC Tank Suction Hose

**Applications:**

- Tank truck service, including oil field vacuum trucks, where full suction or rated working pressure are required
- Ideal for hauling crude oil, salt and fresh water, tank bottoms, drilling mud, dilute solutions of hydrochloric acids and diesel fuels

**\*\*Note\*\* Not Recommended for highly refined petroleum products such as gasoline.**

**Tube:**

- Black Vinyl Nitrile

**Reinforcement:**

- Synthetic, high tensile, textile with steel wire helix

**Cover:**

- Type D (SBR). Black corrugated with blue spiral stripe

**Temp Range:**

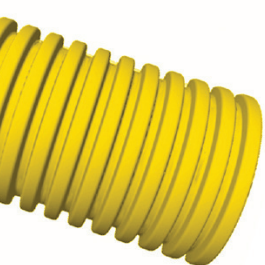
- -40°F to +180°F

*(continuous service)*



| Part #   | I.D. (in.) | O.D. (in.) | Working PSI | Bend Radius (in.) | Weight (lbs/ft) | Standard Length (ft) |
|----------|------------|------------|-------------|-------------------|-----------------|----------------------|
| OHSVT100 | 1          | 1.42       | 150         | 3.0               | .52             | 100                  |
| OHSVT125 | 1 1/4      | 1.68       | 150         | 6.0               | .67             | 100                  |
| OHSVT150 | 1 1/2      | 1.97       | 150         | 10                | .85             | 100                  |
| OHSVT200 | 2          | 2.47       | 150         | 12                | 1.16            | 100                  |
| OHSVT250 | 2 1/2      | 2.99       | 150         | 16                | 1.41            | 100                  |
| OHSVT300 | 3          | 3.52       | 150         | 20                | 2.01            | 100                  |
| OHSVT400 | 4          | 4.57       | 150         | 28                | 2.73            | 100                  |
| OHSVT600 | 6          | 6.67       | 150         | 32                | 4.37            | 50                   |

## Yellow Non-Perforated Drain Tile



| Part # | I.D (in.) | Weight (lbs/ft) |
|--------|-----------|-----------------|
| DT400Y | 4.0       | 0.77 lbs/ft     |
| DT600Y | 6.0       | 0.77 lbs/ft     |

**Applications:**

- Non-perforated, or solid pipe is used to transport water, but does not allow sand or roots to enter from the outside.

**Construction:**

- Annular corrugated interior/exterior structure. Extremely lightweight and flexible.

**Options:**

- Available in 6" x 100ft and 4" x 250ft



# Petroleum & Chemical Hose

## Tank Truck - Smooth Cover

### Applications:

- Transfer of petroleum products, crude oil, salt water, fresh water, and slurries
- Abrasion, animal fat, oil, and weather resistant
- Meets R.M.A. standards (4-to-1 safety factor)

### Tube:

- Vinyl Nitrile

### Reinforcement:

- Textile, 4 spiral and helical wire

### Cover:

- Black Vinyl Nitrile

### Temp Range:

- -20°F to +180°F



| Part #   | I.D.<br>(in.) | O.D.<br>(in.) | Working<br>PSI | Bend<br>Radius (in.) | Weight<br>(lbs/ft) | Standard<br>Length (ft) |
|----------|---------------|---------------|----------------|----------------------|--------------------|-------------------------|
| OHSTT150 | 1 1/2         | 1.94          | 150            | 10                   | 0.85               | 100                     |
| OHSTT200 | 2             | 2.45          | 150            | 12                   | 1.16               | 100                     |
| OHSTT300 | 3             | 3.48          | 150            | 20                   | 1.89               | 100                     |
| OHSTT400 | 4             | 4.54          | 150            | 28                   | 2.73               | 100                     |

## Tank Truck - Corrugated Cover

### Applications:

- Transfer of petroleum products, crude oil, salt water, fresh water, and slurries
- Abrasion, animal fat, oil, and weather resistant
- Loading and unloading, pumping, suction, or gravity flow

### Tube:

- Vinyl Nitrile

### Reinforcement:

- Textile, 2 braid, 4 spiral, 2 ply or 4 ply, and helical wire

### Cover:

- Black Vinyl Nitrile

### Temp Range:

- -40°F to +180°F



| Part #    | I.D.<br>(in.) | O.D.<br>(in.) | Working<br>PSI | Bend<br>Radius (in.) | Weight<br>(lbs/ft) | Standard<br>Length (ft) |
|-----------|---------------|---------------|----------------|----------------------|--------------------|-------------------------|
| OHSTTC200 | 2             | 2.47          | 150            | 8                    | 0.99               | 100                     |
| OHSTTC300 | 3             | 3.52          | 150            | 12                   | 1.61               | 100                     |
| OHSTTC400 | 4             | 4.65          | 150            | 16                   | 2.57               | 100                     |
| OHSTTC600 | 6             | 6.75          | 150            | 30                   | 3.82               | 150                     |

## Goodyear FabChem

### Applications:

- This hose handles the majority of common industrial chemicals in pressure, gravity flow and suction services.

### Tube:

- Pliosyn UHMW

### Reinforcement:

- Spiral-plied synthetic fabric with double wire helix

### Cover:

- Green Versigard synthetic rubber with bright orange longitudinal stripe, corrugated (wrapped impression)

### Temp Range:

- -40°F to +150°F



| Part #   | I.D.<br>(in.) | O.D.<br>(in.) | Working<br>PSI | Bend<br>Radius (in.) | Weight<br>(lbs/ft) | Standard<br>Length |     |
|----------|---------------|---------------|----------------|----------------------|--------------------|--------------------|-----|
| OHSFC100 | GFC100SBQ     | 1             | 1.53           | 200                  | 5.0                | .72                | 100 |
| OHSFC125 | GFC125SBQ     | 1 1/4         | 1.88           | 200                  | 8.0                | .86                | 100 |
| OHSFC150 | GFC150SBQ     | 1 1/2         | 2.13           | 200                  | 8.0                | .89                | 100 |
| OHSFC200 | GFC200SBQ     | 2             | 2.63           | 200                  | 9.0                | 1.13               | 100 |
| OHSFC300 | GFC300SBQ     | 3             | 3.63           | 200                  | 16.0               | 1.64               | 100 |
| OHSFC400 | GFC400SBQ     | 4             | 4.69           | 200                  | 21.0               | 2.39               | 100 |

# Water Suction & Discharge Hose

## KanaFlex 220RS Water Suction\Discharge & Sewer Hose

**Applications:**

- Heavy duty liquid suction hose for use in construction dewatering, liquid waste, cesspool cleaning, septic handling, agricultural applications, and marine use

**Tube:**

- Smooth bore black SBR rubber polyethylene

**Reinforcement:**

- Rigid PVC helix

**Cover:**

- Smooth black SBR rubber polyethylene

**Temp Range:**

- -40°F to +140°F



| Part #   | I.D. (in.) | O.D. (in.) | Vacuum 72°F, in. Hg | Working PSI | Bend Radius (in.) | Weight (lbs/ft) | Standard Length (ft) |
|----------|------------|------------|---------------------|-------------|-------------------|-----------------|----------------------|
| 220RS150 | 1 1/2      | 1.85       | 29.8                | 50          | 3.0               | .50             | 100                  |
| 220RS200 | 2          | 2.40       | 29.8                | 50          | 4.0               | .74             | 100                  |
| 220RS250 | 2 1/2      | 2.99       | 29.8                | 50          | 5.0               | 1.01            | 100                  |
| 220RS300 | 3          | 3.50       | 29.8                | 43          | 6.0               | 1.30            | 100                  |
| 220RS400 | 4          | 4.57       | 29.8                | 38          | 9.0               | 2.01            | 100                  |
| 220RS600 | 6          | 6.69       | 28.0                | 23          | 15.0              | 3.37            | 100                  |

## KanaFlex 300EPDM Water Suction & Discharge Hose

**Applications:**

- Heavy duty liquid suction hose for use in construction dewatering, liquid waste, cesspool cleaning, septic handling, agricultural applications and marine use

**Tube:**

- Smooth bore black EPDM rubber

**Reinforcement/Cover:**

- Corrugated green polyethylene helix

**Temp Range:**

- -40°F to +140°F



| Part #     | I.D. (in.) | O.D. (in.) | Vacuum 72°F, in. Hg | Working PSI | Bend Radius (in.) | Weight (lbs/ft) | Standard Length (ft) |
|------------|------------|------------|---------------------|-------------|-------------------|-----------------|----------------------|
| 300EPDM100 | 1          | 1.34       | 29.8                | 50          | 1.9               | .23             | 100                  |
| 300EPDM125 | 1 1/4      | 1.65       | 29.8                | 50          | 3.2               | .34             | 100                  |
| 300EPDM150 | 1 1/2      | 1.84       | 29.8                | 50          | 3.2               | .40             | 100                  |
| 300EPDM200 | 2          | 2.43       | 29.8                | 50          | 5.2               | .67             | 100                  |
| 300EPDM250 | 2 1/2      | 2.99       | 29.8                | 50          | 5.6               | .92             | 100                  |
| 300EPDM300 | 3          | 3.52       | 29.8                | 43          | 7.1               | 1.10            | 100                  |
| 300EPDM400 | 4          | 4.61       | 29.8                | 38          | 11.0              | 1.84            | 100                  |
| 300EPDM600 | 6          | 6.81       | 28.0                | 23          | 20.0              | 3.07            | 100                  |

## KanaFlex Kanaline Blue Water Suction & Discharge Hose

**Applications:**

- Heavy-Duty suction and discharge with increased flexibility for use in colder environment applications, where more flexibility is desired.

**Reinforcement/Cover:**

- Cold weather PVC, rigid PVC helix, synthetic braiding, smooth bore, corrugated O.D.

**Temp Range:**

- -40°F to +140°F



| Part # | I.D. (in.) | O.D. (in.) | Vacuum 72°F, in. Hg | Working PSI | Bend Radius (in.) | Weight (lbs/ft) | Standard Length (ft) |
|--------|------------|------------|---------------------|-------------|-------------------|-----------------|----------------------|
| KBL150 | 1 1/2      | 2.10       | 28.0                | 75          | 2.0               | .47             | 60,100               |
| KBL200 | 2          | 2.60       | 28.0                | 70          | 3.0               | .70             | 60,100               |
| KBL300 | 3          | 3.70       | 28.0                | 70          | 5.0               | 1.13            | 60,100               |
| KBL400 | 4          | 4.80       | 28.0                | 60          | 7.0               | 1.74            | 60,100               |
| KBL600 | 6          | 7.30       | 28.0                | 50          | 9.0               | 3.88            | 60,100               |
| KBL800 | 8          | 9.50       | 28.0                | 40          | 15.0              | 5.54            | 15,20,25,40          |



# Lay Flat Water Hose

## Layflat PVC Water Discharge Hose - Blue or Brown



- Applications:**
- A light or heavy duty layflat hose for portable pump and irrigation use

- Reinforcement:**
- Woven high tensile synthetic yarns

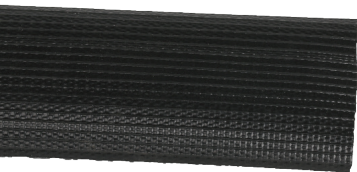
- Cover:**
- Blue or brown PVC impregnation

- Temp Range:**
- +15°F to +130°F



| Part #       | I.D. (in.) | O.D. (in.) | Working PSI | Bend Radius (in.) | Weight (lbs/ft) | Standard Length (ft) |
|--------------|------------|------------|-------------|-------------------|-----------------|----------------------|
| <b>Blue</b>  |            |            |             |                   |                 |                      |
| LAYBL100     | 1          | 1.11       | 150         | -                 | 0.13            | 300                  |
| LAYBL125     | 1 1/4      | 1.37       | 130         | -                 | 0.15            | 300                  |
| LAYBL150     | 1 1/2      | 1.63       | 70          | -                 | 0.15            | 300                  |
| LAYBL200     | 2          | 2.13       | 65          | -                 | 0.20            | 300                  |
| LAYBL250     | 2 1/2      | 2.63       | 65          | -                 | 0.27            | 300                  |
| LAYBL300     | 3          | 3.13       | 60          | -                 | 0.33            | 300                  |
| LAYBL400     | 4          | 4.14       | 60          | -                 | 0.46            | 300                  |
| LAYBL500     | 5          | 5.15       | 45          | -                 | 0.65            | 300                  |
| LAYBL600     | 6          | 6.15       | 35          | -                 | 0.78            | 300                  |
| LAYBL800     | 8          | 8.16       | 35          | -                 | 1.20            | 300                  |
| LAYBL1000    | 10         | 10.20      | 35          | -                 | 1.75            | 300                  |
| LAYBL1200    | 12         | 12.30      | 30          | -                 | 2.50            | 300                  |
| <b>Brown</b> |            |            |             |                   |                 |                      |
| LAYBR150     | 1 1/2      | 1.66       | 130         | -                 | 20              | 300                  |
| LAYBR200     | 2          | 2.16       | 115         | -                 | 28              | 300                  |
| LAYBR300     | 3          | 3.18       | 100         | -                 | 46              | 300                  |
| LAYBR400     | 4          | 4.18       | 90          | -                 | 68              | 300                  |
| LAYBR600     | 6          | 6.18       | 70          | -                 | 110             | 300                  |
| LAYBR800     | 8          | 8.19       | 60          | -                 | 166             | 300                  |

## Oroflex Layflat



OROFLEX 10

- Applications:**
- A lightweight high pressure, extremely strong hose for general water discharge.

- Tube:**
- Black or yellow abrasion and oil resistant nitrile rubber

- Reinforcement:**
- Circular woven polyester yarns layers of synthetic yarns

- Cover:**
- Black or Yellow abrasion, weather and oil resistant nitrile rubber

- Temp Range:**
- -40°F to +200°F



OROFLEX 20

| Part #    | I.D. (in.) | O.D. (in.) | Working PSI | Weight (lbs/ft) | Standard Length (ft) |
|-----------|------------|------------|-------------|-----------------|----------------------|
| OF10BK150 | 1 1/2      | 1.78       | 200         | .21             | 200                  |
| OF10BK200 | 2          | 2.28       | 200         | .30             | 200                  |
| OF10BK250 | 2 1/2      | 2.78       | 175         | .42             | 200                  |
| OF10BK300 | 3          | 3.32       | 175         | .46             | 200                  |
| OF10BK400 | 4          | 4.32       | 150         | .64             | 200                  |
| OF10BK600 | 6          | 6.36       | 150         | 1.11            | 200                  |
| OF10BK800 | 8          | 8.36       | 150         | 1.51            | 200                  |

| Part #    | I.D. (in.) | O.D. (in.) | Working PSI | Weight (lbs/ft) | Standard Length (ft) |
|-----------|------------|------------|-------------|-----------------|----------------------|
| OF20BK075 | 3/4        | .98        | 400         | .10             | 200                  |
| OF20BK100 | 1          | 1.34       | 400         | .14             | 200                  |
| OF20BK150 | 1 1/2      | 1.86       | 300         | .30             | 200                  |
| OF20BK200 | 2          | 2.36       | 300         | .44             | 200                  |
| OF20BK300 | 3          | 3.40       | 250         | .64             | 200                  |
| OF20BK400 | 4          | 4.40       | 250         | .86             | 200                  |

# High Pressure Jetting Hose

## WaterBlast Hose

For very high pressure rubber water jet cutting and cleaning system. Scale removal application using extreme high pressure in building and industrial sectors (road works, removal of concrete from reinforced concrete structure safeguarding metal components). Scale removal on ships

hulls in shipyard and elimination of dust.  
Not recommended for hydraulic application.

Working Temperature:  
• -40°C to +100°C



| Part #      | I.D. (in.) | O.D. (in.) | Working PSI | Bend Radius (in.) | Weight (lbs/ft) | Standard Length (ft) |
|-------------|------------|------------|-------------|-------------------|-----------------|----------------------|
| WB10K038600 | 3/8        | 0.85       | 10,000      | 5.9               | 0.47            | 50, 100              |
| WB10K050600 | 1/2        | 0.96       | 10,000      | 7.8               | 0.60            | 50, 100              |
| WB12K050600 | 1/2        | 0.96       | 12,000      | 7.8               | 0.60            | 50, 100              |
| WB12K100600 | 1          | 1.49       | 12,000      | 12.5              | 1.41            | 50, 100              |

## WaterBlast Pencil Line

Applications:  
• High pressure water applications

Tube:  
• Synthetic rubber

Reinforcement:  
• High tensile steel wire spirals for flexibility and strength.

Cover:  
• High temperature, ozone and abrasion-resistant

Temp Range:  
• -40°F to +200°F

\* Sold as assemblies coupled with male NPT swaged on each end. Common lengths are 50, 100, 200 and 300 feet.



| Part #     | I.D. (in.) | O.D. (in.) | Working PSI | Bend Radius (in.) | Weight (lbs/ft) |
|------------|------------|------------|-------------|-------------------|-----------------|
| LLGR-MM-02 | 1/8        | 0.32       | 4000        | 1.25              | 0.04            |
| LLGR-MM-04 | 1/4        | 0.50       | 4000        | 2.50              | 0.06            |
| LLGR-MM-06 | 3/8        | 0.65       | 4000        | 3.00              | 0.11            |
| LLGR-MM-08 | 1/2        | 0.83       | 4000        | 4.00              | 0.16            |

## Orange Sewer Flushing Hose

Applications:  
• Used on high pressure sewer cleaning equipment

Tube:  
• Yellow polyolefin

Reinforcement:  
• Single high tensile braid

Cover:  
• Orange polyether-urethane cover

Temp Range:  
• -40°F to +150°F

\* Sold as assemblies coupled with male NPT swaged on each end. Common lengths are 400, 500, and 600 feet.



| Part # | I.D. (in.) | O.D. (in.) | Working PSI | Bend Radius (in.) | Weight (lbs/ft) | Standard Length (ft) |
|--------|------------|------------|-------------|-------------------|-----------------|----------------------|
| SHP10  | 5/8        | 0.96       | 2500        | 4                 | 0.19            | 400,500,600          |
| SP12   | 3/4        | 1.18       | 2500        | 5                 | 0.28            | 400,500,600          |
| SP16   | 1          | 1.46       | 2500        | 6                 | 0.40            | 400,500,600          |

# Ripsaw Nozzles - 3200 PSI

## Ripsaw Rotating Turbo Nozzle Dig Faster, Save Water

The Ripsaw blasts a 0 degree straight water stream at up to 3200 PSI while rotating at a high speed to provide an 18 degree cone of coverage. The cone-shaped flow pattern is ideally suited for pot-holing applications.

### NEW HEAVY DUTY COATING AVAILABLE!

The new ripsaw HD was engineered for improved performance in harsh conditions. The special coating provides longer life in aggressive environments such as frost, shale and other rocky conditions.



Part#: 1001857



Part#: 1002719



| Orifice Size | Inlet (in) | Max Flow Rate (GPM) |
|--------------|------------|---------------------|
| 4.0          | 1/2        | 3.6                 |
| 5.0          | 1/2        | 4.5                 |
| 6.0          | 1/2        | 5.4                 |
| 8.0          | 1/2        | 7.2                 |
| 10.0         | 1/2        | 8.9                 |

## Switchblade™ Static, Zero-Degree Nozzle – 3200 PSI Dig Faster, Save Water

The Switchblade™ nozzle is designed and engineered for the rugged Hydro-Excavation industry. These heavy-duty, high-impact nozzles allow you to cut through dirt faster while using dramatically less water.

Complete jobs faster with more runtime and less downtime. A combination of (1), (2), or (4) 0° solid stream nozzles are available. The Switchblade's long, linear flow path is ideally suited for trenching applications



Part#: 1002036  
Comes with one 0° nozzle



Part#: 1002035  
Comes with two 0° nozzles



Part#: 1001928  
Comes with four 0° nozzles

# Suttner Turbo Nozzles - 6000 PSI

The increased tearing action of the rotating spray is ideal for hard surface applications, such as concrete graffiti cleaning or caked on mud on heavy equipment

- Increases cleaning efficiency as much as 200%.
- The 0° rotation creates a cleaning and tearing action.
- Ideal for hard surfaces.
- Improved materials for longer life

ST-457-5.0 - Black



Orifice Size: 5.0  
Gallons Per Minute: 6.1  
Inlet Size: 1/2" FNPT

ST-457-6.0 - Red



Orifice Size: 6.0  
Gallons Per Minute: 7.3  
Inlet Size: 1/2" FNPT

ST-457-7.0 - Pink



Orifice Size: 7.0  
Gallons Per Minute: 8.6  
Inlet Size: 1/2" FNPT

ST-457-8.0 - Orange



Orifice Size: 8.0  
Gallons Per Minute: 9.8  
Inlet Size: 1/2" FNPT

ST-457-10.0 - Grey



Orifice Size: 10.0  
Gallons Per Minute: 12.2  
Inlet Size: 1/2" FNPT

\*\*Additional pressure ratings, orifice sizes, inlet connections and materials available upon request\*\*



# Spray Guns & Lances

## NEW Linear Excavating Gun



Temp: 300°F  
Flow Rate: 16 GPM  
Inlet: 1/2" FPT  
Outlet: 1/2" FPT

3200 PSI

## ST-1100 Spray Gun



Temp: 300°F  
Flow Rate: 7 GPM  
Inlet: 3/8" FPT  
Outlet: 1/4" FPT  
Weight: 0.94 lb

3050 PSI

## ST-601 Spray Gun



Temp: 300°F  
Flow Rate: 12 GPM  
Inlet: 3/8" FPT  
Outlet: 1/4" FPT  
Weight: 1.16 lb

4000 PSI

## ST-1500 Spray Gun



Temp: 300°F  
Flow Rate: 10.4 GPM  
Inlet: 3/8" FPT  
Outlet: 1/4" FPT  
Weight: 1.27 lb

5000 PSI

## ST-2305 Spray Gun



Temp: 300°F  
Flow Rate: 12 GPM  
Inlet: 3/8" FPT  
Outlet: 1/4" FPT  
Weight: 1.22 lb

5000 PSI

## ST-2605 Spray Gun



Temp: 300°F  
Flow Rate: 12 GPM  
Inlet: 3/8" FPT  
Outlet: 1/4" FPT  
Weight: 1.28 lb

5000 PSI

## Lances

### ST-003 Lance



Pressure: 6000PSI  
Temp: 300°F  
Length: 79"  
Inlet: 1/4" MPT  
Outlet: 1/4" MPT  
Weight: 2.17 lb

### ST-007 Molded Grip Lance

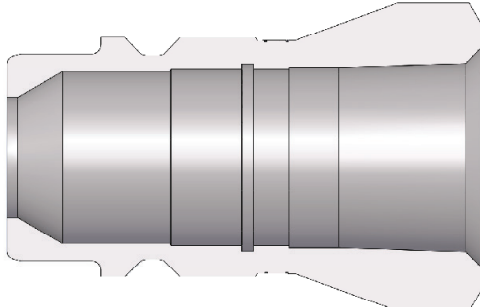
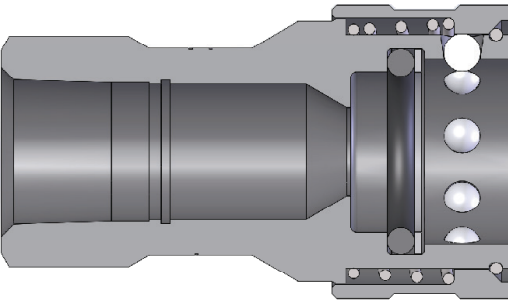
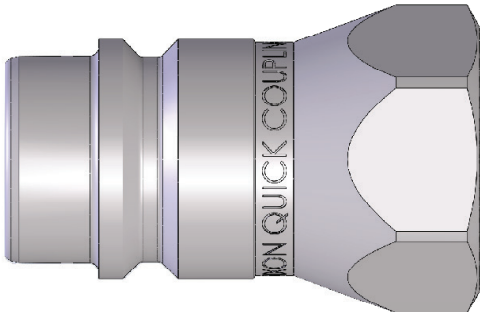
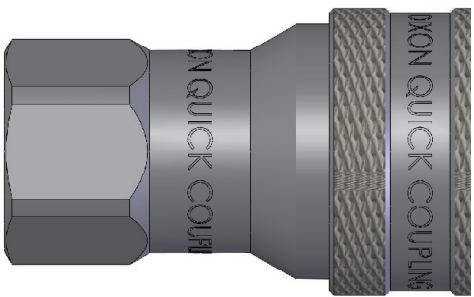


Pressure: 6000PSI  
Temp: 300°F  
Length: 79"  
Inlet: 1/4" MPT  
Outlet: 1/4" MPT  
Weight: 2.70 lb

# Quick Couplers

No need for after market valve removal!

NEW  
UNVALVED  
DIXON QUICK  
DISCONNECTS



Options Available:

| Series | Material      | Seal | Locking Sleeve | Sizes Available |
|--------|---------------|------|----------------|-----------------|
| AG     | Steel         | Buna | No             | 1/2" - 3/4"     |
| E      | 303 Stainless | Buna | Yes            | 1/2" - 3/4"     |
| H      | 316 Stainless | Buna | Yes            | 1/2" - 3/4"     |



# Aluminum Camlocks

## Part A Adapter

Adapter X Female NPT Thread



| Size | Part #  |
|------|---------|
| 2    | IAL200A |
| 3    | IAL300A |
| 4    | IAL400A |
| 6    | IAL600A |

## Part B Coupler

Coupler X Male NPT Thread



| Size | Part #  |
|------|---------|
| 2    | IAL200B |
| 3    | IAL300B |
| 4    | IAL400B |
| 6    | IAL600B |

## Part C Coupler

Coupler X Hose Shank



| Size | Part #  |
|------|---------|
| 2    | IAL200C |
| 3    | IAL300C |
| 4    | IAL400C |
| 6    | IAL600C |

## Part D Adapter

Coupler X Female NPT Thread



| Size | Part #  |
|------|---------|
| 2    | IAL200D |
| 3    | IAL300D |
| 4    | IAL400D |
| 6    | IAL600D |

## Part E Adapter

Adapter X Hose Shank



| Size | Part #  |
|------|---------|
| 2    | IAL200E |
| 3    | IAL300E |
| 4    | IAL400E |
| 6    | IAL600E |

## Part F Adapter

Adapter X Hose Shank



| Size | Part #  |
|------|---------|
| 2    | IAL200F |
| 3    | IAL300F |
| 4    | IAL400F |
| 6    | IAL600F |



| Size | Part #   |
|------|----------|
| 2    | IAL200DC |
| 3    | IAL300DC |
| 4    | IAL400DC |
| 6    | IAL600DC |

## Dust Plug



| Size | Part #   |
|------|----------|
| 2    | IAL200DP |
| 3    | IAL300DP |
| 4    | IAL400DP |
| 6    | IAL600DP |

## Reducers



**CXA**  
Coupler X Adapter  
Sizes: 1" x 3/4" to  
8" x 6"



**SA Spool Adapter**  
Adapter X Adapter  
Sizes: 1/2" x 1/2" to  
6" x 8"

# Bauer Couplings

## Bauer Coupling - Ball



| Size  | Plated  | Unplated |
|-------|---------|----------|
| 2     | S1PL50  | S1BK50   |
| 2 1/2 | S1PL76  | S1BK76   |
| 3     | S1PL89  | S1BK89   |
| 4     | S1PL108 | S1BK108  |
| 5     | S1PL133 | S1BK133  |
| 6     | S1PL159 | S1BK159  |
| 8     | S1PL194 | S1BK194  |



## Bauer Coupling - Socket with Shank

| Size | Plated   | Unplated   |
|------|----------|------------|
| 4    | S78PL108 | S78BK108   |
| 5    | S78PL133 | S78BK133   |
| 6    | S78PL159 | S78BK159   |
| 8    | S78PL194 | S78BK++194 |

## Bauer Coupling - Ball with Shank



| Size | Plated   | Unplated |
|------|----------|----------|
| 4    | S77PL108 | S77BK108 |
| 5    | S77PL133 | S77BK133 |
| 6    | S77PL159 | S77BK159 |
| 8    | S77PL194 | S77BK194 |



## Bauer Coupling - Rubber Seal

| Size  | Part #  |
|-------|---------|
| 2     | S4GK50  |
| 2 1/2 | S4GK76  |
| 3     | S4GK89  |
| 4     | S4GK108 |
| 5     | S4GK133 |
| 6     | S4GK159 |
| 8     | S4GK194 |

## Bauer Coupling - Socket



| Size  | Plated  | Unplated |
|-------|---------|----------|
| 2     | S3PL50  | S3BK50   |
| 2 1/2 | S3PL76  | S3BK76   |
| 3     | S3PL89  | S3BK89   |
| 4     | S3PL108 | S3BK108  |
| 5     | S3PL133 | S3BK133  |
| 6     | S3PL159 | S3BK159  |
| 8     | S3PL194 | S3BK194  |



## Bauer Coupling - Lever Closing Ring

| Size  | Plated  | Unplated |
|-------|---------|----------|
| 2     | S2PL50  | S2BK50   |
| 2 1/2 | S2PL76  | S2BK76   |
| 3     | S2PL89  | S2BK89   |
| 4     | S2PL108 | S2BK108  |
| 5     | S2PL133 | S2BK133  |
| 6     | S2PL159 | S2BK159  |
| 8     | S2PL194 | S2BK194  |

## Bauer Coupling - End Cap



| Size  | Plated  |
|-------|---------|
| 2     | S8PL50  |
| 2 1/2 | S8PL76  |
| 3     | S8PL89  |
| 4     | S8PL108 |
| 5     | S8PL133 |
| 6     | S8PL159 |
| 8     | S8PL194 |

# Bush Hog Couplers

## Bush Hog - Female Coupler

| Size | Part #    |
|------|-----------|
| 3    | WSRLF300  |
| 4    | WSRLF400  |
| 6    | WSRLF600  |
| 8    | WSRLF800  |
| 10   | WSRLF1000 |



## Bush Hog - Male Coupler

| Size | Part #    |
|------|-----------|
| 3    | WSRLM300  |
| 4    | WSRLM400  |
| 6    | WSRLM600  |
| 8    | WSRLM800  |
| 10   | WSRLM1000 |



## Bush Hog - Reducer

| Size   | Part #    |
|--------|-----------|
| 4 x 3  | WSRLR304  |
| 6 x 4  | WSRLR406  |
| 8 x 4  | WSRLR408  |
| 8 x 6  | WSRLR608  |
| 10 x 8 | WSRLR8010 |



## Bush Hog - End Plug

| Size | Part #     |
|------|------------|
| 3    | WSRLEP300  |
| 4    | WSRLEP400  |
| 6    | WSRLEP600  |
| 8    | WSRLEP800  |
| 10   | WSRLEP1000 |



## Bush Hog - End Cap

| Size | Part #     |
|------|------------|
| 3    | WSRFEP300  |
| 4    | WSRFEP400  |
| 6    | WSRFEP600  |
| 8    | WSRFEP800  |
| 10   | WSRFEP1000 |



## Bush Hog - 90° Elbow

| Size | Part #     |
|------|------------|
| 3    | WSRLEF300  |
| 4    | WSRLEF400  |
| 6    | WSRLEF600  |
| 8    | WSRLEF800  |
| 10   | WSRLEF1000 |



## Bush Hog - WYE

| Size      | Part #   |
|-----------|----------|
| 4 x 3 x 3 | WSRLY433 |
| 6 x 3 x 3 | WSRLY633 |
| 6 x 4 x 4 | WSRLY644 |
| 8 x 4 x 4 | WSRLY844 |
| 8 x 6 x 6 | WSRLY866 |



## Bush Hog - 45° Elbow

| Size | Part #       |
|------|--------------|
| 3    | WSRLEF30045  |
| 4    | WSRLEF40045  |
| 6    | WSRLEF60045  |
| 8    | WSRLEF80045  |
| 10   | WSRLEF100045 |



## Bush Hog - Square Back Gasket

| Size | Part #    |
|------|-----------|
| 3    | WSRLG300  |
| 4    | WSRLG400  |
| 6    | WSRLG600  |
| 8    | WSRLG800  |
| 10   | WSRLG1000 |



## Bush Hog - Relief Valve

| Size | Part # |
|------|--------|
| 4    | BL400  |
| 6    | BL600  |
| 8    | BL800  |



# Dig Tube Components

## Dig Tube Clamp



| Size | Part # |
|------|--------|
| 4    | U46478 |
| 6    | U32087 |
| 8    | U16584 |

## Vactor CS Flange



| Size | Part #  |
|------|---------|
| 4    | CSCF400 |
| 6    | CSCF600 |
| 8    | CSCF800 |

## Bush Hog Clamp



| Size | Part #   |
|------|----------|
| 4    | HPRLC400 |
| 6    | HPRLC600 |
| 8    | HPRLC800 |

## Rainway Gaskets



| Size | Part #   |
|------|----------|
| 4    | HPRWG400 |
| 6    | HPRWG600 |
| 8    | HPRWG800 |

## Rainway Male - Aluminum Coupler



| Size | Part # |
|------|--------|
| 4    | HPM400 |
| 6    | HPM600 |
| 8    | HPM800 |

## Rainway Female - Aluminum Coupler



| Size | Part # |
|------|--------|
| 4    | HPF400 |
| 6    | HPF600 |
| 8    | HPF800 |

## Flat Flange



| Size | Part #  |
|------|---------|
| 6    | U40011B |
| 8    | U40011A |

## Crown



| Size | Part #  |
|------|---------|
| 6    | V23766A |
| 8    | V23788A |

## Urethane Tip



| Size | Part # |
|------|--------|
| 6    | SLV6X8 |
| 8    | SLV8X8 |

# Aluminum Dig Tubes - 120 Wall

## 6" Male x Female Bush Hogs

| Size | Part #         |
|------|----------------|
| 24"  | ALT6X24ALMFBH  |
| 36"  | ALT6X36ALMFBH  |
| 48"  | ALT6X48ALMFBH  |
| 60"  | ALT6X60ALMFBH  |
| 72"  | ALT6X72ALMFBH  |
| 84"  | ALT6X84ALMFBH  |
| 96"  | ALT6X96ALMFBH  |
| 120" | ALT6X120ALMFBH |



## 8" Male x Female Bush Hogs

| Size | Part #         |
|------|----------------|
| 24"  | ALT8X24ALMFBH  |
| 36"  | ALT8X36ALMFBH  |
| 48"  | ALT8X48ALMFBH  |
| 60"  | ALT8X60ALMFBH  |
| 72"  | ALT8X72ALMFBH  |
| 84"  | ALT8X84ALMFBH  |
| 96"  | ALT8X96ALMFBH  |
| 120" | ALT8X120ALMFBH |



## 6" Flat Flange x Flat Flange

| Size | Part #        |
|------|---------------|
| 24"  | ALT6X24VFXVF  |
| 36"  | ALT6X36VFXVF  |
| 48"  | ALT6X48VFXVF  |
| 60"  | ALT6X60VFXVF  |
| 72"  | ALT6X72VFXVF  |
| 84"  | ALT6X84VFXVF  |
| 96"  | ALT6X96VFXVF  |
| 120" | ALT6X120VFXVF |



## 8" Flat Flange x Flat Flange

| Size | Part #        |
|------|---------------|
| 24"  | ALT8X24VFXVF  |
| 36"  | ALT8X36VFXVF  |
| 48"  | ALT8X48VFXVF  |
| 60"  | ALT8X60VFXVF  |
| 72"  | ALT8X72VFXVF  |
| 84"  | ALT8X84VFXVF  |
| 96"  | ALT8X96VFXVF  |
| 120" | ALT8X120VFXVF |



## 6" Male Bush Hog x Urethane Tip

| Size | Part #           |
|------|------------------|
| 60"  | ALT6X60ALMBHXUSL |
| 72"  | ALT6X72ALMBHXUSL |
| 84"  | ALT6X84ALMBHXUSL |



## 8" Male Bush Hog x Urethane Tip

| Size | Part #           |
|------|------------------|
| 60"  | ALT8X60ALMBHXUSL |
| 72"  | ALT8X72ALMBHXUSL |
| 84"  | ALT8X84ALMBHXUSL |



## 6" Flat Flange x Urethane Tip

| Size | Part #        |
|------|---------------|
| 60"  | ALT6X60VFXUSL |
| 72"  | ALT6X72VFXUSL |
| 84"  | ALT6X84VFXUSL |



## 8" Flat Flange x Urethane Tip

| Size | Part #        |
|------|---------------|
| 60"  | ALT8X60VFXUSL |
| 72"  | ALT8X72VFXUSL |
| 84"  | ALT8X84VFXUSL |



## 6" Male Bush Hog x Nozzle (CROWN)

| Size | Part #             |
|------|--------------------|
| 60"  | ALT6X60ALMBHXCROWN |
| 72"  | ALT6X72ALMBHXCROWN |
| 84"  | ALT6X84ALMBHXCROWN |



## 8" Male Bush Hog x Nozzle (CROWN)

| Size | Part #             |
|------|--------------------|
| 60"  | ALT8X60ALMBHXCROWN |
| 72"  | ALT8X72ALMBHXCROWN |
| 84"  | ALT8X84ALMBHXCROWN |



# Hydrotec Dig Tubes and Nozzles



6" Vector Flange x Urethane Tip

| Size | Part #     |
|------|------------|
| 72"  | HTEC-6X6DT |

8" Vector Flange x Urethane Tip

| Size | Part #     |
|------|------------|
| 72"  | HTEC-8X6DT |



6" Vector Flange x Vector Flange

| Size | Part #     |
|------|------------|
| 72"  | HTEC-6X6EX |

8" Vector Flange x Vector Flange

| Size | Part #     |
|------|------------|
| 72"  | HTEC-8X6EX |



6" Male Bush Hog x Urethane Tip

| Size | Part #     |
|------|------------|
| 72"  | HTEC-6X6HL |

8" Male Bush Hog x Urethane Tip

| Size | Part #     |
|------|------------|
| 72"  | HTEC-8X6HL |



| Orifice Size | Part #       |
|--------------|--------------|
| 6.0          | HTEC-2250-06 |



| Orifice Size | Part #       |
|--------------|--------------|
| 8.0          | HTEC-2250-06 |

## Hydrotec Nozzles Feature:

- Carbide Spray Tips
- Non-conductive urethane wrap
- 1/2" NPT Connections
- Maximum Temperature of 180°F (82°C)
- Maximum Working Pressure of 3200PSI



## General Service - Dry

Designed for long and reliable service under rugged conditions. Typical applications are pumps, hydraulic and pneumatic systems, compressors and for many other applications where the measured media does not corrode brass.



| Part #        | Size (in.) | Case              | Wetted Parts        | Window           | Pressure Range |
|---------------|------------|-------------------|---------------------|------------------|----------------|
| 11110G05P25   | 2 1/2      | Black ABS plastic | Copper Alloy        | Snap-in acrylic  | 0 - 5 PSI      |
| 11110G015P25  | 2 1/2      | Black ABS plastic | Copper Alloy        | Snap-in acrylic  | 0 - 15 PSI     |
| 11110G060P25  | 2 1/2      | Black ABS plastic | Copper Alloy        | Snap-in acrylic  | 0 - 60 PSI     |
| 11110G030P4   | 4          | Black ABS plastic | Copper Alloy        | Snap-in acrylic  | 0 - 30 PSI     |
| 23253G015P25  | 2 1/2      | Stainless Steel   | 316 Stainless Steel | Polycarbonate    | 0 - 15 PSI     |
| 23253G0160P25 | 2 1/2      | Stainless Steel   | 316 Stainless Steel | Polycarbonate    | 0 - 160 PSI    |
| 23254G060P4   | 4          | Stainless Steel   | Copper Alloy        | Instrument Glass | 0 - 60 PSI     |
| 23254G0100P4  | 4          | Stainless Steel   | Copper Alloy        | Instrument Glass | 0 - 100 PSI    |

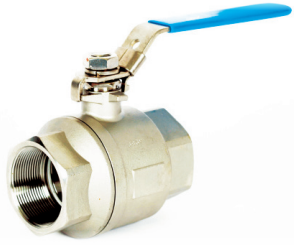
## General Service - Liquid Filled

The ideal choice for OEM and general industrial applications requiring a liquid filled pressure gauge. When vibration and/or pulsation are present, the glycerine reduces wear, which extends the life of the gauge.



| Part #         | Size (in.) | Internals | Wetted Parts        | Window        | Pressure Range |
|----------------|------------|-----------|---------------------|---------------|----------------|
| 21353G015P25   | 2 1/2      | Brass     | Copper Alloy        | Polycarbonate | 0 - 15 PSI     |
| 21353G030P25   | 2 1/2      |           |                     |               | 0 - 30 PSI     |
| 21353G060P25   | 2 1/2      |           |                     |               | 0 - 60 PSI     |
| 21353G0100P25  | 2 1/2      |           |                     |               | 0 - 100 PSI    |
| 21353G0160P25  | 2 1/2      |           |                     |               | 0 - 160 PSI    |
| 21353G05000P25 | 2 1/2      |           |                     |               | 0 - 5000 PSI   |
| 21353G030P4    | 4          |           |                     |               | 0 - 30 PSI     |
| 21353G0100P4   | 4          |           |                     |               | 0 - 100 PSI    |
| 23353G015P25   | 2 1/2      | Steel     | 316 Stainless Steel | Acrylic       | 0 - 15 PSI     |
| 23353G030P25   | 2 1/2      |           |                     |               | 0 - 30 PSI     |
| 23353G060P25   | 2 1/2      |           |                     |               | 0 - 60 PSI     |
| 23353G0100P25  | 2 1/2      |           |                     |               | 0 - 100 PSI    |
| 23353G0160P25  | 2 1/2      |           |                     |               | 0 - 160 PSI    |
| 23353G0200P25  | 2 1/2      |           |                     |               | 0 - 200 PSI    |
| 23353G0300P25  | 2 1/2      |           |                     |               | 0 - 300 PSI    |
| 23353G0400P25  | 2 1/2      |           |                     |               | 0 - 400 PSI    |
| 23353G0600P25  | 2 1/2      |           |                     |               | 0 - 600 PSI    |
| 23353G03000P25 | 2 1/2      |           |                     |               | 0 - 3000 PSI   |
| 23353G0300P4   | 4          |           |                     |               | 0 - 300 PSI    |

## Full Port Ball Valve



| Size  | Cast Brass | Stainless Steel |
|-------|------------|-----------------|
| 1/4   | BVBR025FP  | BVSS025FP       |
| 3/8   | BVBR038FP  | BVSS038FP       |
| 1/2   | BVBR050FP  | BVSS050FP       |
| 3/4   | BVBR075FP  | BVSS075FP       |
| 1     | BVBR100FP  | BVSS100FP       |
| 1 1/4 | BVBR125FP  | BVSS125FP       |
| 1 1/2 | BVBR150FP  | BVSS150FP       |
| 2     | BVBR200FP  | BVSS200FP       |
| 2 1/2 | BVBR250FP  | BVSS250FP       |
| 3     | BVBR300FP  | BVSS300FP       |
| 4     | BVBR400FP  | -               |

## Standard Ball Valve



| Size  | Cast Brass | Stainless Steel |
|-------|------------|-----------------|
| 1/4   | BVBR025    | BVSS025         |
| 3/8   | BVBR038    | BVSS038         |
| 1/2   | BVBR050    | BVSS050         |
| 3/4   | BVBR075    | BVSS075         |
| 1     | BVBR100    | BVSS100         |
| 1 1/4 | BVBR125    | BVSS125         |
| 1 1/2 | BVBR150    | BVSS150         |
| 2     | BVBR200    | BVSS200         |
| 2 1/2 | BVBR250    | -               |
| 3     | BVBR300    | -               |
| 4     | BVBR400    | -               |

## Check Valves

Applications:

- Water, air
- For horizontal, vertical and sloping installations



| Part # | Size  |
|--------|-------|
| BCV050 | 1/2   |
| BCV100 | 1     |
| BCV125 | 1 1/4 |
| BCV150 | 1 1/2 |
| BCV200 | 2     |
| BCV250 | 2 1/2 |
| BCV300 | 3     |
| BCV400 | 4     |

## Standard Quick Opening Gate Valve



| Size  | Part #   |
|-------|----------|
| 1     | QOG100   |
| 1 1/4 | QOG125   |
| 1 1/2 | QOG150   |
| 2     | QOG200   |
| 3     | QOG300   |
| 4     | QOG400   |
| 5     | QOG500   |
| 6     | QOG600LG |

## Side Lever Quick Opening Gate Valve



| Size | Part #   |
|------|----------|
| 4    | QOG400PH |
| 6    | QOG600   |

# Valves

## Sliding Gate Valve

The Betts sliding valve is an economical means of providing a quick opening - quick closing valve where high working pressure will not be encountered. All valves are standard with stainless steel gates which provide a bubble tight seal.



TTMA FLANGE x FLANGE

TTMA DRILLING - Flanged x Flanged

| Size | Part #   | Material      | Wt.  |
|------|----------|---------------|------|
| 3    | SV903MSM | Steel         | 11.4 |
| 3    | SV903SSM | 316 Stainless | 11.4 |
| 4    | SV904MSM | Steel         | 14.9 |
| 4    | SV904SSM | 316 Stainless | 14.9 |
| 6    | SV906MSM | Steel         | 32.5 |
| 6    | SV906SSM | 316 Stainless | 32.5 |

TTMA DRILLING - Flanged x Threaded

| Size | Flanged x Threaded | Material      | Wt.  |
|------|--------------------|---------------|------|
| 3    | SV913MSM           | Steel         | 10.9 |
| 3    | SV913SSM           | 316 Stainless | 10.9 |
| 4    | SV914MSM           | Steel         | 14.1 |
| 4    | SV914SSM           | 316 Stainless | 14.1 |
| 6    | SV916MSM           | Steel         | 30   |
| 6    | SV916SSM           | 316 Stainless | 30   |



TTMA FLANGE x THREAD



ANSI FLANGE x THREAD

ANSI DRILLING - Flanged x Threaded

| Size | Part #   | Material      | Wt. |
|------|----------|---------------|-----|
| 3    | SV963MSM | Steel         | 15  |
| 3    | SV963SSM | 316 Stainless | 15  |
| 4    | SV964MSM | Steel         | 20  |
| 4    | SV964SSM | 316 Stainless | 20  |
| 6    | SV966MSM | Steel         | 40  |
| 6    | SV966SSM | 316 Stainless | 40  |

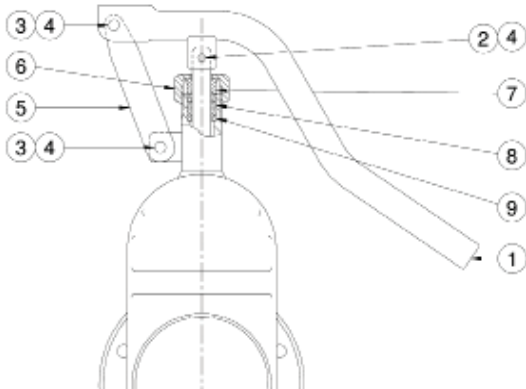
ANSI DRILLING - Flanged x Flanged

| Size | Part #   | Material      | Wt.  |
|------|----------|---------------|------|
| 3    | SV953MSM | Steel         | 19   |
| 3    | SV953SSM | 316 Stainless | 19   |
| 4    | SV954MSM | Steel         | 24.5 |
| 4    | SV954SSM | 316 Stainless | 24.5 |
| 6    | SV956MSM | Steel         | 46   |
| 6    | SV956SSM | 316 Stainless | 46   |



ANSI FLANGE x FLANGE

## Sliding Gate Valve Components

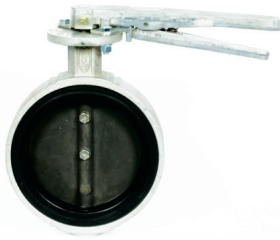


Parts

| No. | Description            | Req. | Material            | 3" & 4" Part # | 6" Part # |
|-----|------------------------|------|---------------------|----------------|-----------|
| 1   | Handle                 | 1    | Steel "E" Coated    | 35131EY        | 26764EY   |
| 2   | Clevis Pin 1/4 x 1 1/4 | 1    | Steel Zinc Plt.     | 9Q4728         | 9Q4728    |
| 3   | Clevis Pin - Link      | 2    | Steel "E" Coated    | 15757EY        | 15757EY   |
| 4   | Cotter Pin 3/32 x 3/4  | 3    | Brass               | 9Q5865         | 9Q5865    |
| 5   | Link                   | 1    | Steel "E" Coated    | 17446EY        | 17903EY   |
| 6   | Stuffing Box           | 1    | Aluminum            | 15026AL        | 15026AL   |
|     |                        |      | 304 Stainless       | 15026SL        | 15026SL   |
| 7   | Top Gland              | 1    | 316 Stainless       | 15220SS        | 15220SS   |
| 8   | Packing                | Set  | Non-Asbestos/Teflon | 15227NT        | 15227NT   |
| 9   | Bottom Gland           | 1    | 316 Stainless       | 15076SS        | 15076SS   |

## Ultraflo 400 Series Butterfly Valve - Black Seat / Carbon Disk

| Size | Part #     |
|------|------------|
| 2    | 2400001516 |
| 3    | 3400001516 |
| 4    | 4400001516 |
| 5    | 5400001516 |
| 6    | 6400001516 |
| 8    | 8500001516 |



Body: Aluminum  
Seat: Black EPDM  
Stem: 17-4 Stainless Steel  
Disc: Ductile Iron

## Ultraflo 400 Series Butterfly Valve - White Seat / S.S. Disk

| Size | Part #     |
|------|------------|
| 2    | 2400003501 |
| 3    | 3400003501 |
| 4    | 4400003501 |
| 5    | 5400003501 |
| 6    | 6400003501 |
| 8    | 8500003501 |



Body: Aluminum  
Seat: White Nitrile - FDA  
Stem: 17-4 Stainless Steel  
Disc: 316 Stainless Steel

## Bray 30 Series Butterfly Valve-Black Seat/Carbon Disk

| Size  | Part #     |
|-------|------------|
| 2     | 30100BV200 |
| 2 1/2 | 30100BV250 |
| 3     | 30100BV300 |
| 4     | 30100BV400 |
| 5     | 30100BV500 |
| 6     | 30100BV600 |
| 8     | 30100BV800 |



Body: Cast iron ASTM A126 Class B  
Seat: Black EPDM Food Grade  
Stem: Coated Carbon Steel  
Disc: Coated Ductile Iron ASTM A536 Gr. 65-45-12

## Bray 30 Series Butterfly Valve-White Seat/ S.S. Disk

| Size  | Part #     |
|-------|------------|
| 2     | 30183BV200 |
| 2 1/2 | 30183BV250 |
| 3     | 30183BV300 |
| 4     | 30183BV400 |
| 5     | 30183BV500 |
| 6     | 30183BV600 |
| 8     | 30183BV800 |



Body: Red Epoxy Coating  
Seat: White EPDM Food Grade  
Stem: 316 Stainless Steel ASTM A276 Type 316  
Disc: 316 Stainless Steel ASTM A351 CF8M

## Heavy Duty Absorbent Pads



- 17" x 19"
- No Lint
- 100/Bale

| Type of Spill | Colour | Volume | Part # |
|---------------|--------|--------|--------|
| Oil           | White  | 12oz   | WPH100 |
| Chemical      | Yellow | 12oz   | OSU170 |

## Emergency Spill Kit



Each kit contains the following items contained in a red bag marked EMERGENCY SPILL KIT

- Oil or Chemical Specific 17"x19" Sorbent Pads (10 each)
- Oil or Chemical Specific 3" x 48" Sorbent Socks (3 each)
- 36" x 36" x 1 1/16" Drain Cover (1 each)
- 40" x 60" Disposal Bag (3 each)
- Pair of Rubber Gloves (1 each)
- Pair of Safety Goggles (1 each)

| Type of Spill | Part # |
|---------------|--------|
| Oil           | MSK6   |
| Chemical      | MSKCH6 |

## Changeable Digit-Flip Placard & Holder



For the ultimate in convenience, flexibility and time saving, Duo-Flip allows you to change both DOT placard legends and ID numbers in seconds to match your commodity. This Duo-Flip 8-Legend Flip Placard System includes 9 placard panels in a single full frame:

- Inhalation Hazard 2
- Flammable Liquid 3
- Combustible 3
- Oxidizer 5.1
- Inhalation Hazard 6
- Poison 6
- Corrosive 8
- Miscellaneous 9
- Blank

| Part #   |
|----------|
| DFP58632 |

# Accessories

## Bonding Mat



Part #  
BONDMAT

NOTE: Product only available in certain regions

## Bonding Kit



Part #  
BONDKIT

NOTE: Product only available in certain regions

## Static Bonding and Ground Clip



Part #  
GAT-P

## Cam Arm Tie Down Velcro Straps



| Size              | Part #     |
|-------------------|------------|
| 18" long x 1 1/2" | VLS1501800 |
| 30" long x 1 1/2" | VLS1503000 |

## Stretch Straps



- 21" long tie down strap (EPDM rubber with steel "S" hooks)

| Part # | Length | Description               |
|--------|--------|---------------------------|
| SSE21  | 21"    | Stretch Strap Bungee Cord |



# Terms and Conditions

---

- Minimum Order: No orders less than \$25.00 dollars are accepted.
- Orders: Acceptance of your orders is an agreement on your part to our sales policies. If there is an error with your order we will contact you with the changes.
- Freight: F.O.B. our warehouse location.
- Export Orders: Domestic freight allowances do not apply to export orders. Our prices are net F.O.B. our plant.
- Claims: No damaged freight claims will be allowed unless reported within 5 days after receipt of merchandise. Shipments travel at buyer's risk unless ordered to be insured.
- Proof of Delivery: For proof of delivery there will be a \$10.00 charge for each shipment. This is to cover the cost of the extra service.
- Illustrations: Pictures on this site are intended for a general description only, and, unless specified, do not represent any particular brand.
- Price Changes: Prices are subject to change without notice.
- Warranty: We warranty each new hose and product we manufacture against defects in material and workmanship under normal use and service. Our obligation under this warranty shall be limited to the replacement to the original retail purchaser of any part or parts which, within the period of 90 days from the day of purchase by the purchaser, shall be shown to our satisfaction upon examination, to have become defective due to faulty workmanship or materials at the factory. The warranty does not apply to damage in transit, to alterations or repairs done outside the factory or in unauthorized service stations or damage caused by misuse, negligence or accident, nor does it obligate us to assume any labor charges in connection with the replacement of parts claimed to be defective.
- Returns: No returns will be accepted unless authorized in writing. When so authorized, return via most economical way. All returned merchandise will be closely inspected and credit issued where defect is in workmanship or material. Failure due to mis-application or negligence are solely the responsibility of the user and not subject to credit allowances. Credit will be issued only on our material actually returned.

# ONTARIO HOSE SPECIALTIES LIMITED

2020  
CATALOGUE

## HEAD OFFICE

7245 Pacific Circle, Mississauga, ON L5T 1V1  
Tel: 905-670-0113 Fax: 905-670-4958  
Toll Free 1-877-668-4673

## CORUNNA

480 Polymoore Dr. Corunna, ON N0N 1G0  
Tel: 519-336-8541 Fax: 519-336-8543  
Toll Free 1-866-336-8541

## STONEY CREEK

263 Barton St, Unit #19, Stoney Creek, ON L8E 2K4  
Tel: 905-662-0276 Fax: 905-662-0542

## KINGSTON

639 Justus Drive, Kingston, ON K7M 4H5  
Tel: 613-549-7316 Fax: 613-549-6214

## QUEBEC

1900 Hymus Blvd, Dorval, Quebec H9P 1J7  
Tel: 514-685-1266 Fax: 514-685-1606

## ATLANTIC

Suite #28 - 10 Akerley Blvd, Dartmouth, NS B3B 1J4  
Tel: 902-465-5220 Fax: 902-466-5296

## CURRENT CERTIFICATIONS

ISO 9001

TSSA

NAHAD

CSA

RMA

CRN

B620

SEWER  
FLUSHING

HYDRO  
EXCAVATION

INDUSTRIAL  
VACUUM

WWW.ONTARIOHOSE.COM

1-877-668-4673